

版本号: V1.0

材质: 80克书写纸+双面单黑+对折+打钉 最后成品尺寸: 105\*148.5MM

红色线框不需要印刷

# Pro.2

**1x8 HDMI Splitter Over Single Cat5e/6 Cable**

**Up to 50M with IR**

**Model: H8SPC5P**

## Operating Instructions



## Notice

The information in this document is subject to change without notice. Every effort has been made in the preparation of this document to ensure accuracy of the contents, but all statements, information, and recommendations in this document do not constitute the warranty of any kind, express or implied.

## Features

- Distribute 1 HDMI signal to 8 outputs synchronously, with 1 HDMI loopout
- Transmit over 50m via single Cat5e/6 cable
- Can be cascaded for 4 layers
- With one way IR
- Support Full HD 1080p
- Support 3D.
- Support POC(RX powered by TX)

## Operating Instructions

### Package Contents

- 1 x HDMI Splitter & 8 x HDMI receiver
- 1 x 12V DC Adapter
- 1 x User Manual
- 1 x IR-TX cables & 8x IR-RX cables
- 18 x mounting ears

### SPECIFICATIONS

Operating Temperature Range	-10°C-40°C(+14-140°F)
Operating Humidity Range	5 to 90%RH (No Condensation)
Video Amplifier Bandwidth	140MHz
Input Video Signal	0.5-1.0 Volts P-P
Input DDC Signal	5 volts p-p(TTL)
Data transfer speed rate	6Gbps(Maximum)
Input port	1xHDMI
Output ports	8xCat5e/6, 1xHDMI
Video Format Supported	DTV/HDTV: 720P/1080i/1080P 3D video support
Vertical Frequency range	60Hz
Support Audio Format	2.0/5.1
Transmission Distance	1080P 8-bit 50m Over single cat5e or cat6 cable/24AWG/Solid
Power consumption	25W(Max)
Dimension (LxWxH)	L254.3xW114.1xH25.1mm
Net Weight	1242.8g



- 1 This product is warranted for 12 months from the date of purchase.**  
Subject to the conditions of this warranty, the Customer Care Centre will perform necessary service on the product without charge for parts, or labour if, in the opinion of the manufacturer/manufacturer's agent, the product is found to be faulty within the warranty period.
- 2** This warranty only applies if the product has been installed and used in accordance with the manufacturer's recommendations (as noted in the operating instructions) under normal use and reasonable care. The warranty covers normal domestic use only and does not cover damage, malfunction or failure resulting from use of incorrect voltage, accident, misuse, neglect, build-up of dirt or dust, abuse, mis-adjustment of customer controls, mains supply problems, thunderstorm activity, infestation by insects or vermin, tampering or repair by unauthorised persons (including unauthorised alterations), exposure to abnormally corrosive conditions or any foreign object or matter having entered the product.
- 3** If warranty service is required you should:
  - Telephone the Customer Care Centre on 1300 662 946
  - Provide a copy of your purchase receipt that shows retailer's identity and date of purchase.
  - Send or bring the product to your Customer Care Centre.  
Please note that freight to and/or from your Customer Care Centre must be arranged by you.
- 4** The warranties hereby conferred do not extend to any costs associated with the delivery, handling, freight or transportation of the product or any part thereof or replacement of and do not extend to any damage or loss occurring during, or associated with transit.

**THIS WARRANTY CARD AND THE PURCHASE DOCKET  
(OR SIMILAR PROOF OF PURCHASE)  
SHOULD BE RETAINED BY THE CUSTOMER AT ALL TIMES**

**TROUBLE SHOOTING HELP LINE  
(03) 9321 8300**

Customer Care Centre  
562 Spencer Street, West Melbourne  
VICTORIA 3003

**Pro.2**  
Providing AV Solutions

This advice does not limit, override or later your guaranteed rights under the Australian Consumer Law, including remedies for any failure of the Consumer Guarantees, which may include repair or replacement or if a Major Failure (as defined under the Australian Consumer Law) a replacement or refund. These guaranteed rights cannot be varied by Pro.2 or retailers of its products and have no set time limit.

**MAINTENANCE**

Clean this unit with a soft, dry cloth. Never use alcohol, paint thinner or benzene to clean this unit.

**PRODUCT SERVICE**

**1) Damage requiring service:**

The unit should be serviced by qualified service personnel if:

- (a) The DC power supply cord or AC adaptor has been damaged;
- (b) Objects or liquids have gotten into the unit;
- (c) The unit has been exposed to rain;
- (d) The unit does not operate normally or exhibits a marked change in performance;
- (e) The unit has been dropped or the cabinet damaged.

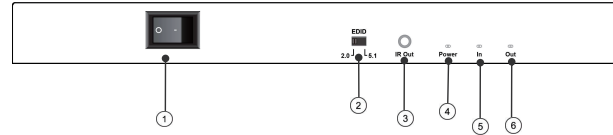
**2) Servicing Personnel:** Do not attempt to service the unit beyond that described in these operating instructions. Refer all other servicing to authorized servicing personnel.

**3) Replacement parts:** When parts need replacing ensure the servicer uses parts specified by the manufacturer or parts that have the same characteristics as the original parts. Unauthorized substitutes may result in fire, electric shock, or other hazards.

**4) Safety check:** After repairs or service, ask the servicer to perform safety checks to confirm that the unit is in proper working condition.

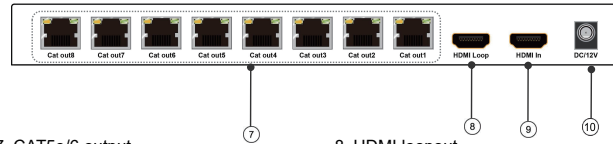
**TX PANEL DESCRIPTIONS**

**Front Panel**



- 1. Power on/off: press the up/down to turn on/off the device.
- 2. EDID switch
- 3. IR-out
- 4. Power input indicator
- 5. Indicator of HDMI input
- 6. Indicator of HDMI output

**Rear Panel**



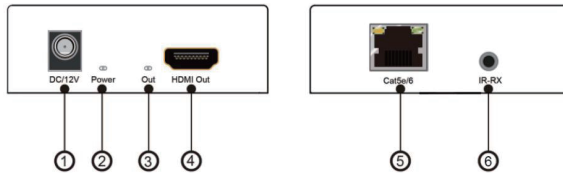
- 7. CAT5e/6 output
- 8. HDMI loopout
- 9. HDMI input
- 10. Power input

**DIP Switch for EDID Setting**

DIP Switch	EDID
Left	Default (1080P60-2.0 2ch)
Right	Default (1080P60-5.1 6ch)

## Operating Instructions

### RX PANEL DESCRIPTIONS



1. Power input
2. Power input indicator
3. Indicator of HDMI output
4. HDMI output port
5. Cat5e/6 input port
6. IR in port

### Connecting and operating

- 1) Connect the HDMI input source into HDMI splitter.
- 2) Connect HDMI splitter and receiver by single cat5e/6 cable (The cable termination must follow the standard of EIA/TIA 568B).
- 3) Connect the HDMI display (such as HD-LCD/HD-DLP) into the HDMI output of receiver.
- 4) Connect the Loop HDMI output port of HDMI Splitter with the HDMI Display (such as HD-LCD/HD-DLP) by HDMI cable.
- 5) Plug IR TX cable to IR port of the Splitter.
- 6) Plug IR RX cable to IR port of the Receiver.
- 7) Insert the DC 12V power supply into HDMI splitter.

Requires IEEE-568B cable termination standards and solid core cable. use SOLID/FTP CAT5 E/6 cables for best results.

If you are running a cable 15 metres or more, make sure you use a SOLID CAT5E/6 cable. This product may not work with standard stranded ethernet cable. See related items for cabling that will work this product.

50m distance has been tested fine on F/UTP solid cat6 cable.

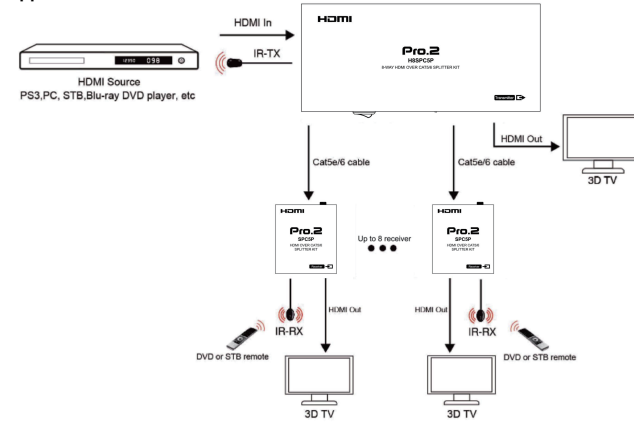
FYI: Most of the pre-made CAT5E/6 leads on the market are stranded cable not solid.

Please note: 50M distance is under perfect transmission conditions including straight cable runs with no bends, kinks, electrical interference, patch panels or wall outlets.

## Operating Instructions

### Connection Diagram

#### Application 1:



#### Application 2: Cascade for 4 layers

